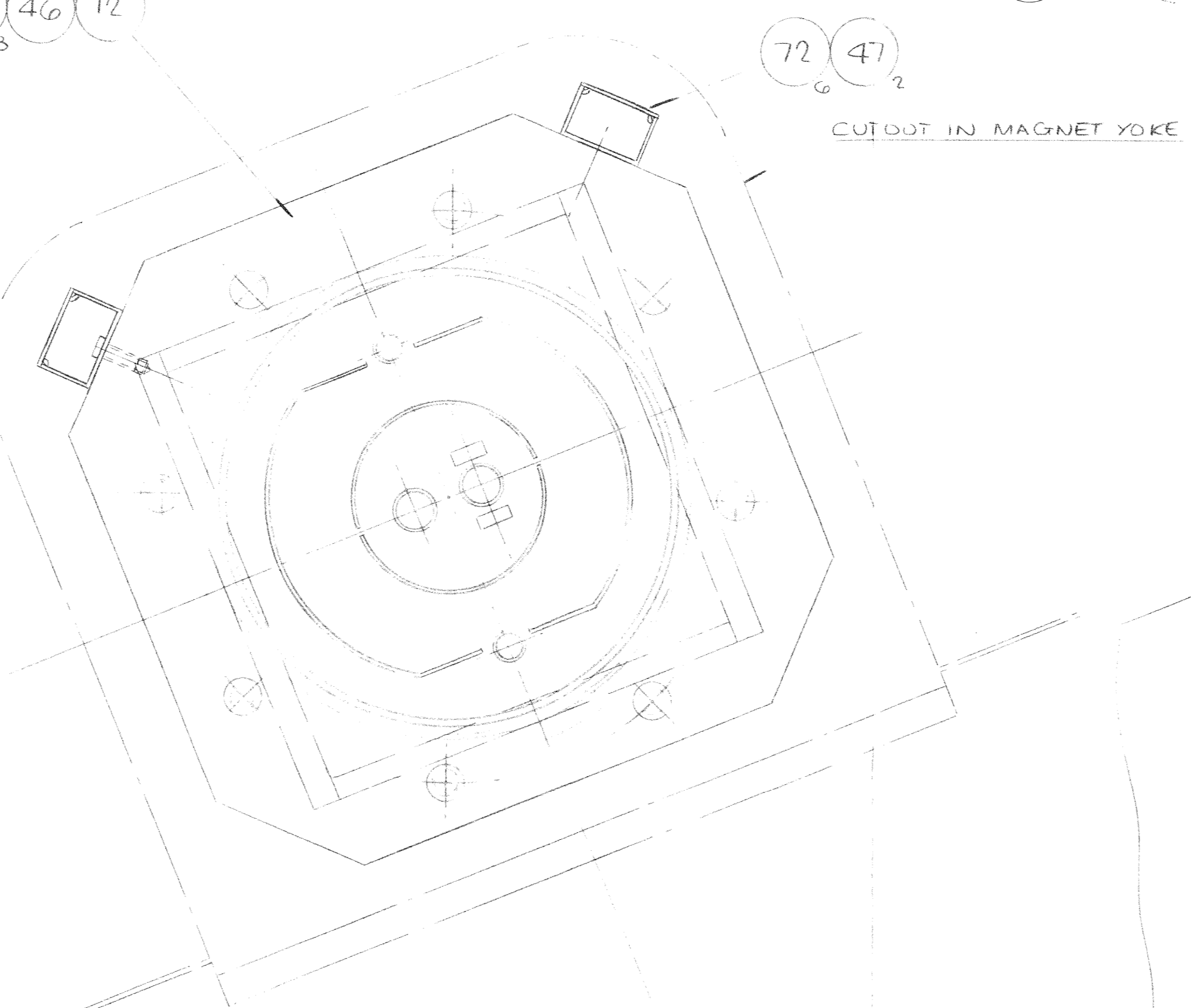
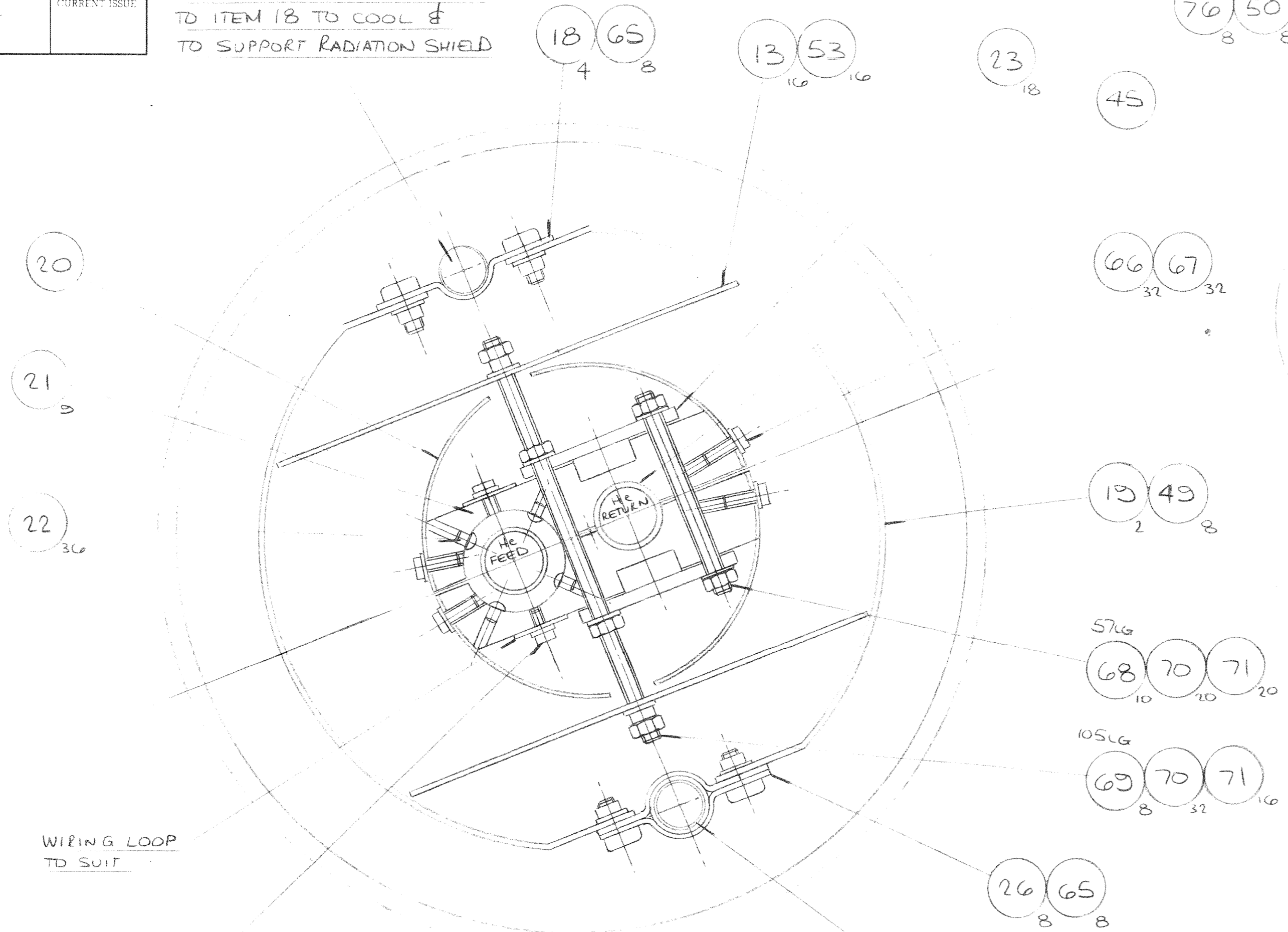
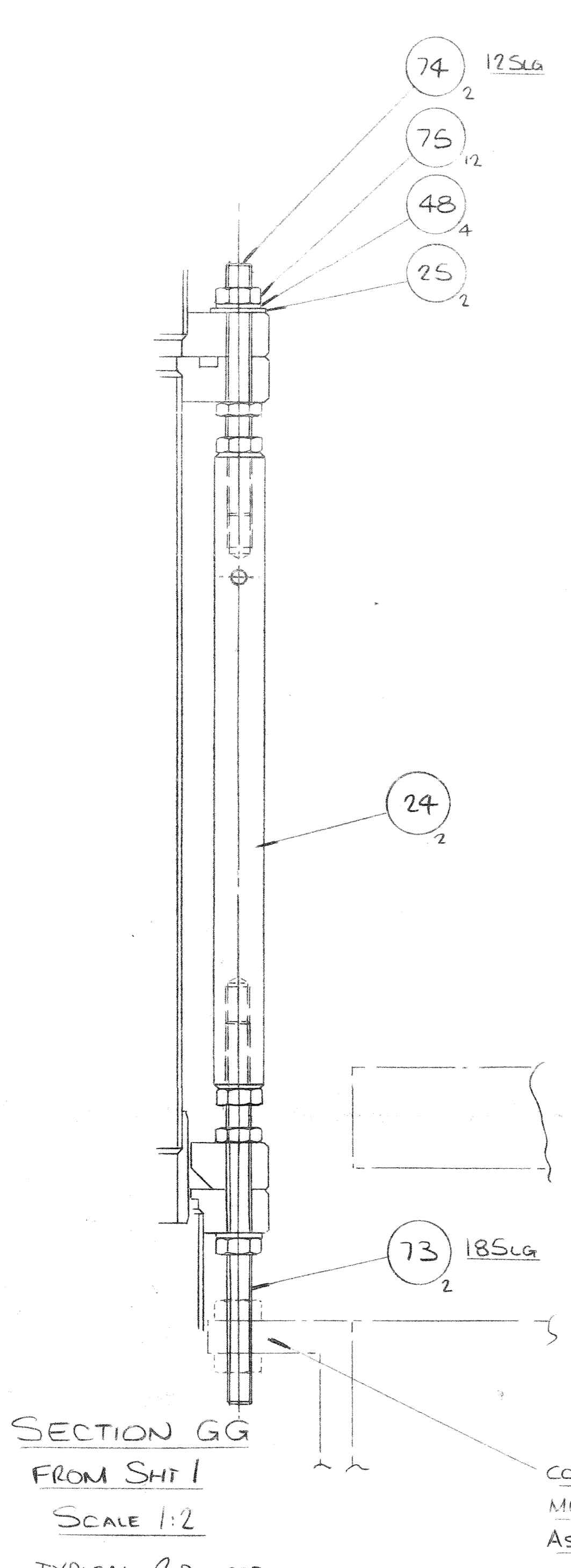


THIRD ANGLE PROJECTION



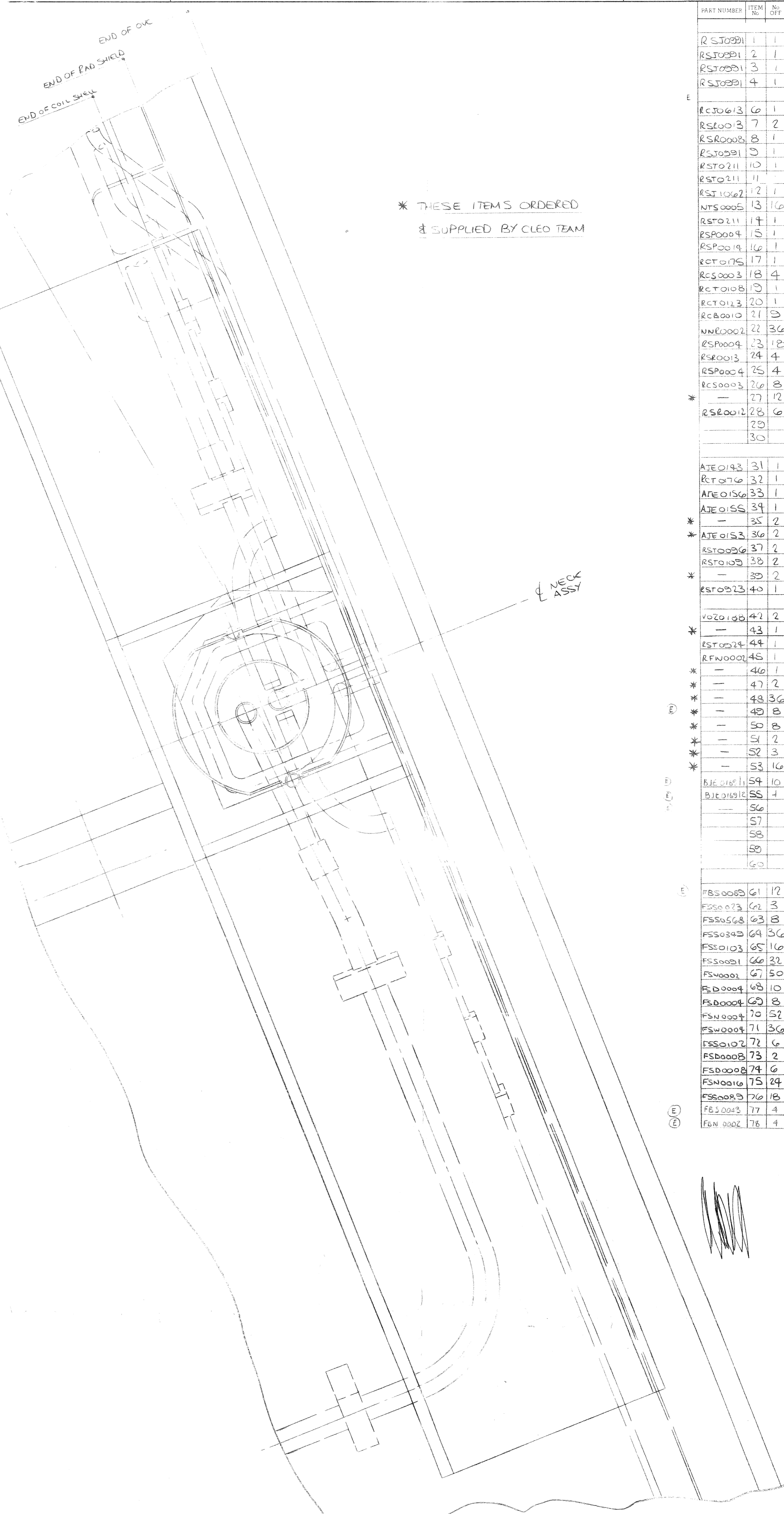
SECTION C-C FROM SHT 1 SCALE FULL  
 N2 FEED PIPE INSULATED FROM RADIATION SHIELD WITH BRAIDED NYLON TUBING & USED FOR SUPPORT ONLY

SECTIONAL VIEW ON FF FROM SHT 1 SCALE 1:2



CORNELL TO PROVIDE SECURE MEANS OF MOUNTING NECK ASSEMBLY TO YOKES  
 TYPICAL 2 PLACES

SECTION GG FROM SHT 1 SCALE 1:2 TYPICAL 2 PLACES



VIEW ON ARROW D FROM SHT 1 SCALE 1:2

\* THESE ITEMS ORDERED & SUPPLIED BY CLEO TEAM

ITEM NO	QTY	DESCRIPTION	REMARKS	MA
RST0091	1	B LNK # 400 x 1.0	ST ST B	1
RST0091	2	B LNK # 400 x 1.0	ST ST B	1
RST0091	3	B LNK # 400 x 1.0	ST ST B	1
RST0091	4	B LNK # 400 x 1.0	ST ST B	1
FC30013	6	B LNK # 270 x 75	CU	1
RST0093	7	ROD # 1.0	MKS 2 ST ST B	070
RST0093	8	ROD # 50	ST ST B	025
RST0091	9	TUBE # 400 x 1.0	ST ST B	1
RST0111	10	TUBE # 800 x 25	ST ST B	1005
RST0111	11	TUBE # 800 x 25	ST ST B	635
RST10072	12	B LNK 320 x 310 x 1.0	ST ST B	1
NPS0005	13	SHT 064	MKS 12 140 DIA TURNOL	370
RST0111	14	TUBE # 800 x 25	ST ST B	060
RST0094	15	PLATE 12B	50 x 70	004
RST0094	16	PLATE 25	70 x 30	007
RST0095	17	TUBE # 1075 x 0.64	CU	1
RST0095	18	SHT 064	MKS 4 70	010
RST0108	19	TUBE # 650 x 0.64	CU	1155
RST0108	20	TUBE # 350 x 0.64	CU	1155
RST0108	21	BLER 1 x 4	MKS 3	405
NPS0002	22	ROD # 250	MKS 36 NYON	550
RST0094	23	PLATE 12B	50 x 70	035
RST0094	24	ROD # 1.0	MKS 4	1280
RST0094	25	PLATE 12B	35 x 14	005
RST0093	26	SHT 064	MKS 18	010
RST0093	27	SET SCREW M4 x 35	MOD	12
RST0093	28	ROD # 875	MKS 6	240
RST0093	29			
RST0093	30			

AJE 0142 ASSEMBLY ITEMS				
AJE0143	31	1 MACHINED ITEMS	OWN BILL	1
RST0106	32	1 TUBE # 1075 x 0.64	CU	1
AJE0156	33	1 BENT TUBES	OWN BILL	1
AJE0155	34	1 NECK ASSY SUB-ASSEMBLY	OWN BILL	1
AJE0153	35	2 TI FLEXIBLE TUBE	2.00000000	2
AJE0153	36	2 ALUMI TRANSITION JOINT	OWN BILL	2
RST0096	37	2 TUBE # 50 x 0.64	MKS 2	1800
RST0096	38	2 TUBE # 75 x 0.64	MKS 2	1800
RST0096	39	2 SUBASSEMBLY 3/16 BSW G	OWN BILL	2
RST0096	40	1 TUBE # 15.75 x 1.25 x 355	ST ST	1
1020100	41	2 O RING # 15 x 27.5		2
1020100	42	1 O RING # 14.75 x 27.5		1
RST0096	43	1 TUBE # 18.50 x 1.5 x 355	ST ST	1
RST0096	44	1 INDIUM # 1.0	INDIUM	2.000
RST0096	45	1 O RING # 8.50 x 27.5		1
RST0096	46	2 MESHAL TUBER MIT 4	PVC	3.000
RST0096	47	3 M3 SCHWABER WASHER	ST ST	360
RST0096	48	3 M3 SCHWABER WASHER	ST ST	360
RST0096	49	3 M3 SCHWABER WASHER	ST ST	360
RST0096	50	3 M3 SCHWABER WASHER	ST ST	360
RST0096	51	3 M3 SCHWABER WASHER	ST ST	360
RST0096	52	3 M3 SCHWABER WASHER	ST ST	360
RST0096	53	3 M3 NUT BUBET	ST ST	360
RST0096	54	10 CONDUCTOR LOOP SUPPORT	TURNOL	10
RST0096	55	4 CONDUCTOR LOOP SUPPORT	TURNOL	4
RST0096	56	PTFE TAPE 25 x 1.0mm	PTFE	1.0000
RST0096	57			
RST0096	58			
RST0096	59			
RST0096	60			

FREE ISSUE ITEMS				
RST0096	61	12 M3 x 6 CASE HD SCREW	BRASS	12
RST0096	62	3 M3 x 30 SOE HD SCREW	ST ST	3
RST0096	63	8 M10 x 30 CAP SCREW	ST ST	8
RST0096	64	36 M12 x 30 CAP SCREW	ST ST	44
RST0096	65	16 M3 x 10 CASE HD SCREW	ST ST	16
RST0096	66	24 M3 x 10 CASE HD SCREW	ST ST	32
RST0096	67	50 M3 WASHER	ST ST	50
RST0096	68	10 M3 STUDDING	MKS 10	650
RST0096	69	8 M3 STUDDING	MKS 8	1020
RST0096	70	52 M3 NUT	ST ST	52
RST0096	71	36 M3 WASHER	ST ST	36
RST0096	72	6 M3 x 6 CASE HD SCREW	ST ST	6
RST0096	73	2 M12 STUDDING	MKS 2	300
RST0096	74	16 M12 STUDDING	MKS 6	810
RST0096	75	24 M12 JOUENUT	ST ST	24
RST0096	76	18 M3 x 6 CASE HD SCREW	ST ST	18
RST0096	77	4 M3 x 6 CASE HD SCREW	BRASS	4
RST0096	78	4 M3 NUT	BRASS	4

ISSUE	DATE	CHANGE NO	ISSUE	DATE	CHANGE NO
E	4.4.04	004			
D	1.1.04	003			
C	11.03.03				
B	5.09.01				
A	8.09.00				

TOLERANCES		TITLE	
METRIC	IMPERIAL	NECK ASSEMBLY	
X ± 0.5	XX ± 0.015		
XX ± 0.3	XXX ± 0.010		
XXX ± 1	XXXX ± 0.005		
DRN	CHKD	APPD	DIMENSION'S IN
RAG	DATE	DATE	mm
			SCALE
			1:2 & FULL

THIS DRAWING BELONGS TO OXFORD INSTRUMENTS LIMITED AND IS ISSUED ON CONDITION THAT IT IS NOT COPIED, REPRINTED OR DISCLOSED EITHER IN WHOLE OR IN PART TO A THIRD PARTY WITHOUT THE CONSENT IN WRITING OF OXFORD INSTRUMENTS LIMITED.

Osney Mead  
 Oxford OX2 0DX  
 England

DRAWING NUMBER  
 \*\*\*-0142